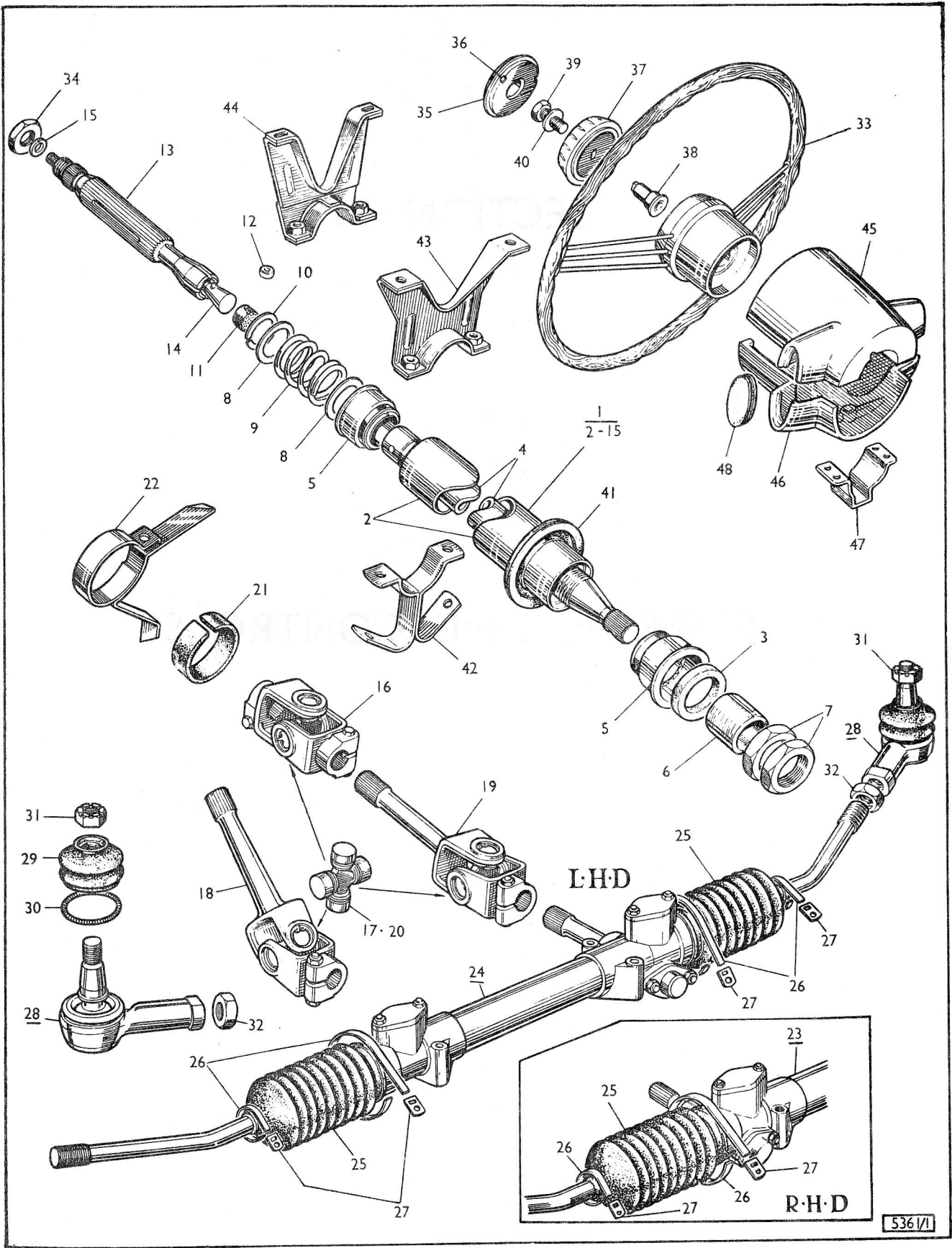


# SECTION RF

# STEERING AND CONTROLS



# STEERING AND CONTROLS



SECTION RF

STEERING AND CONTROLS

Plate Ref.	Rootes Part Number	DESCRIPTION	No. per Veh.	REMARKS
1	1224637	UPPER COLUMN	1	Up to B.382001874
2	1236136	UPPER COLUMN	1	From B.382001875
3	5042935	Outer tube c/w key	1	
3	5057683	Felt bush - Outer tube	1	From B.382001875
	5042936	Inner column	1	
	5043284	Ball race	2	Up to B.382001874
	5043288	Bush—Ball race	2	
4	5057684	Inner column	1	
5	5043284	Ball Race	2	
6	5057682	Bush - Ball race	1	From B.382001875
7	9029056	Locknut	2	
8	5043285	Washer	2	
9	5043289	Spring	1	2 off up to B382001874
	K.27978	Adjusting washer—.048"	A/R	
	5043285	Adjusting washer—.064"	A/R	Up to B382001874
	5043286	Adjusting washer—.080"	A/R	
	5043287	Adjusting washer—.104"	A/R	
10	5043290	Circlip	1	2 off up to B382001874
11	5041078	Plug	1	
12	1206274	Stop button	1	
	5041071	Inner column extension	1	Superseded by 1206272
13	1206272	Inner column extension	1	
14	1206273	Bolt	1	
	9029179	Nut	1	Not included with upper column 1224637
	1206462	Circlip	1	
15	1206701	Circlip	1	Mk. I
16	1224688	UNIVERSAL STEERING JOINT—UPPER	1	
17	5042938	Journal pack—Upper steering joint	1	
18	1229850	STEERING SHAFT—LOWER (R.H.D.)	1	Mk. I
19	1224663	STEERING SHAFT—LOWER (L.H.D.)	1	
20	5042938	Journal pack—Lower steering shaft	1	
21	1224871	Strip rubber—Steering column	1	
22		Steady bracket—Steering column	1	See Body fittings— Supplied with Body Shell
	19105143	Screw, $\frac{5}{16}$ " UNF. $\times$ $1\frac{3}{4}$ " Hex.	3	Universal joints to lower steering shaft and rack and pinion
	9569053	Nut, $\frac{5}{16}$ " UNF. Aerotight	3	
23	5042786	RACK AND PINION (R.H.D.)	1	Mk. I
24	5042785	RACK AND PINION (L.H.D.)	1	
	5043957	Rack and pinion shim kit	1	
25	5042787	Dust excluder (Bellows)	2	
26	5042788	Steel banding—Dust excluder	4	
27	5042792	Clip—Steel banding	4	
	9003269	Bolt, $\frac{3}{8}$ " UNF. $\times$ 2" Wedglok—Rack to crossmember	4	
28	5042789	TUBE END SOCKET ASSEMBLY	2	
29	5042790	Dust cover	1	
30	5042791	Retaining ring	1	
31	9540070	Nut, $\frac{7}{16}$ " UNF.—Slotted	2	
32	9520101	Nut, $\frac{3}{8}$ " UNF. lock—Tube end socket	2	

STEERING AND CONTROLS

Plate Ref.	Rootes Part Number	DESCRIPTION	No. per Veh.	REMARKS
	1206521	HANDWHEEL (Wooden) ... ..	1	G.T. and all U.S.A. and Canada } Standard models } Mk.I except U.S.A. and Canada }
	1206429	HANDWHEEL ... ..	1	
33	1206429	HANDWHEEL ... ..	1	Mk.II
34	9029179	Nut—Handwheel to column ... ..	1	Included with upper column from B.382001875
35	1228688	Motif ... ..	1	
36	1206388	Clip ... ..	3	
37	1206510	Adjuster nut ... ..	1	
38	1206509	Nut—Column extension ... ..	1	
39	19505032	Screw, $\frac{1}{8}$ " UNF. $\times \frac{3}{8}$ " } Adjuster nut to ... ..	1	} column extension nut
40	9067089	Washer, $\frac{1}{8}$ " plain } ... ..	1	
41	9118508	Grommet—Steering column ... ..	1	
	1223832	Clip—Support bracket ... ..	1	Up to B.382000000 From B.382000001
42	1229998	Clip—Support bracket ... ..	1	
	9067017	Washer, $\frac{1}{4}$ " plain ... ..	2	
	9510040	Nut, $\frac{1}{4}$ " UNF. ... ..	2	
	19504051	Bolt, $\frac{1}{4}$ " UNF. $\times \frac{1}{8}$ " } Clip—Column to ... ..	2	} support bracket
	9664162	Washer, $\frac{1}{4}$ " shakeproof } ... ..	2	
	5220695	Screw, $\frac{1}{4}$ " UNF. $\times \frac{3}{4}$ " } ... ..	2	} Clip to lower support rail
	9067017	Washer, $\frac{1}{4}$ " plain ... ..	2	
	9664162	Washer, $\frac{1}{4}$ " shakeproof } ... ..	2	A/R
	9067018	Packing washer ... ..	2	
	1206560	Support bracket (R.H.D.) } ... ..	1	} Up to B.382000000 } From B.382000001
43	1206621	Support bracket (L.H.D.) } ... ..	1	
	1229922	Support bracket (R.H.D.) } Column to facia ... ..	1	
44	1229923	Support bracket (L.H.D.) } ... ..	1	
	19504051	Bolt, $\frac{1}{4}$ " UNF. $\times \frac{5}{8}$ " } Support bracket ... ..	2	} to facia
	9664162	Washer, $\frac{1}{4}$ " shakeproof } ... ..	2	
45	1206294	COWL—Upper ... ..	1	
46	1206295	COWL—Lower ... ..	1	
47	1224207	Clip—Cowl to column ... ..	1	
48	1206410	Grommet—Cowl ... ..	1	
	9773126	Screw, No. 8 $\times \frac{3}{4}$ " } Clip to cowl ... ..	1	} (Lower)
	9020042	Spire nut, No. 8J } ... ..	1	
	39313081	Screw, No. 10 UNF. $\times \frac{1}{2}$ "—Cowl (Upper) to column ... ..	4	
	39711122	Screw, No. 10 UNC. $\times \frac{3}{4}$ "—Cowl (Lower) to cowl (Upper) ... ..	2	